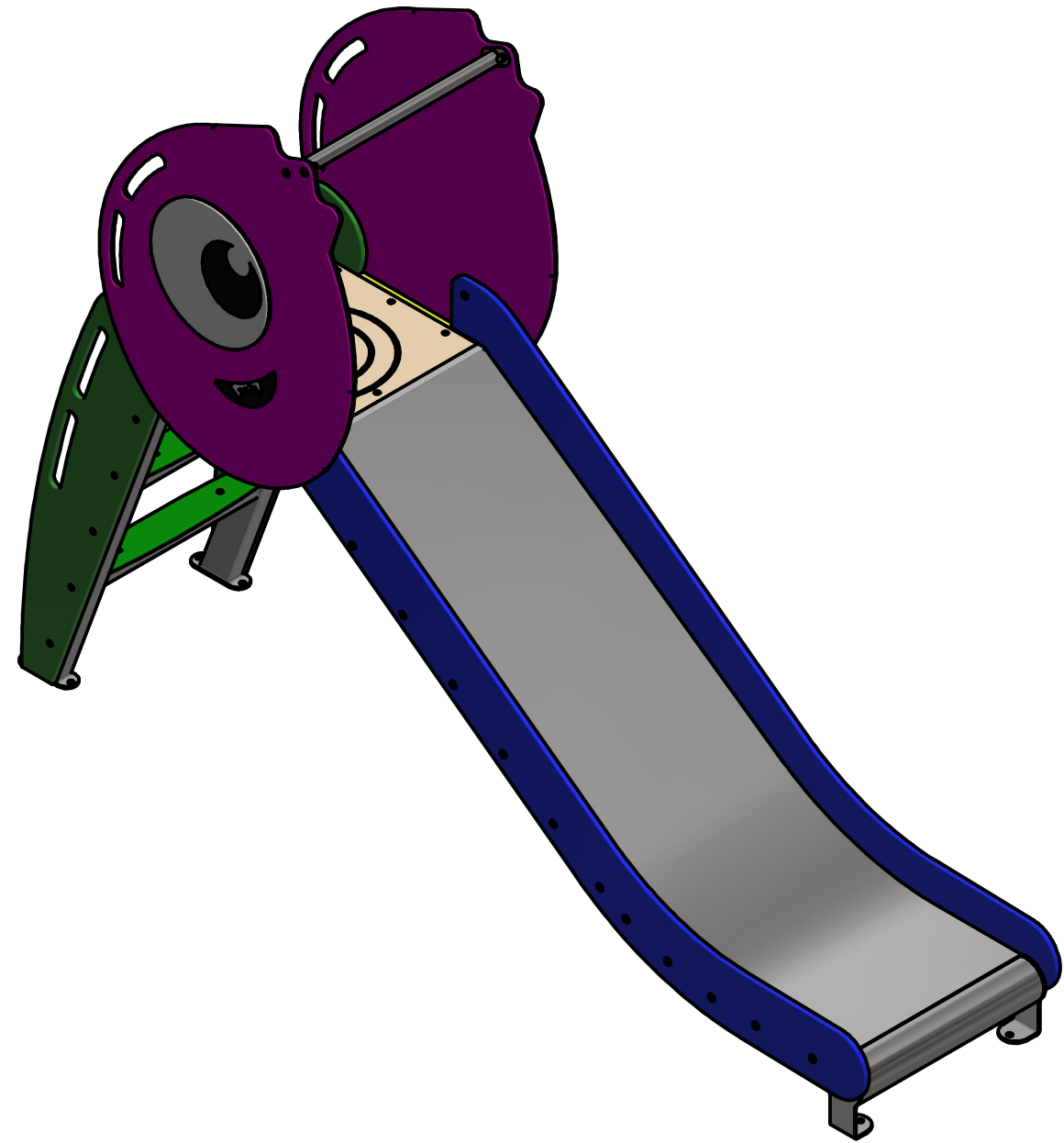

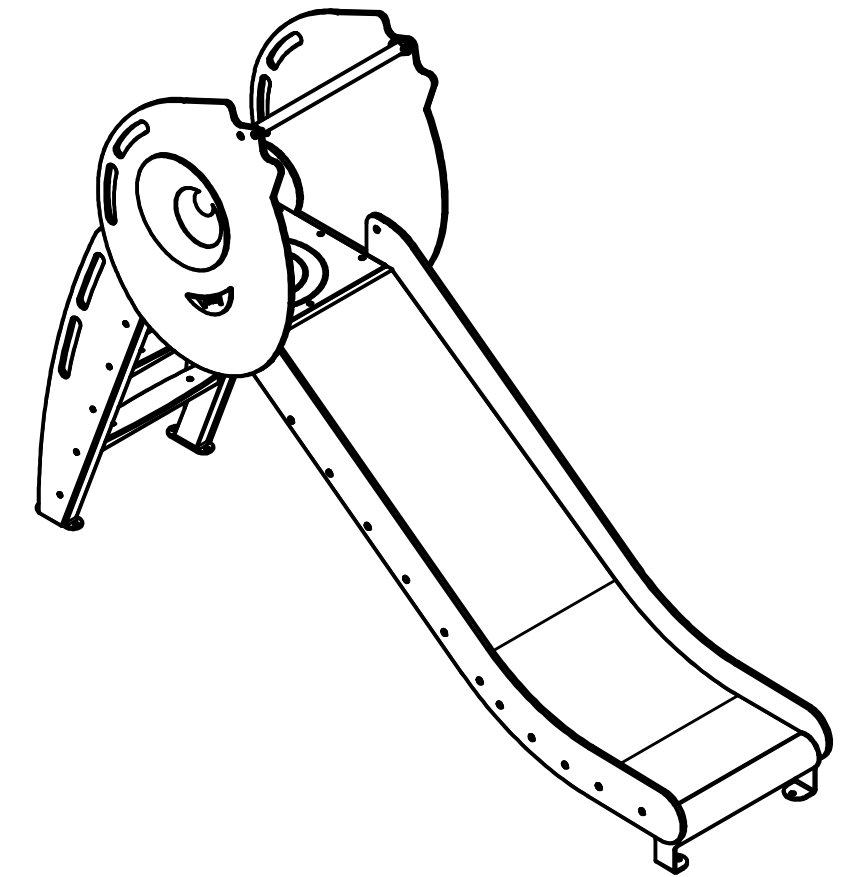
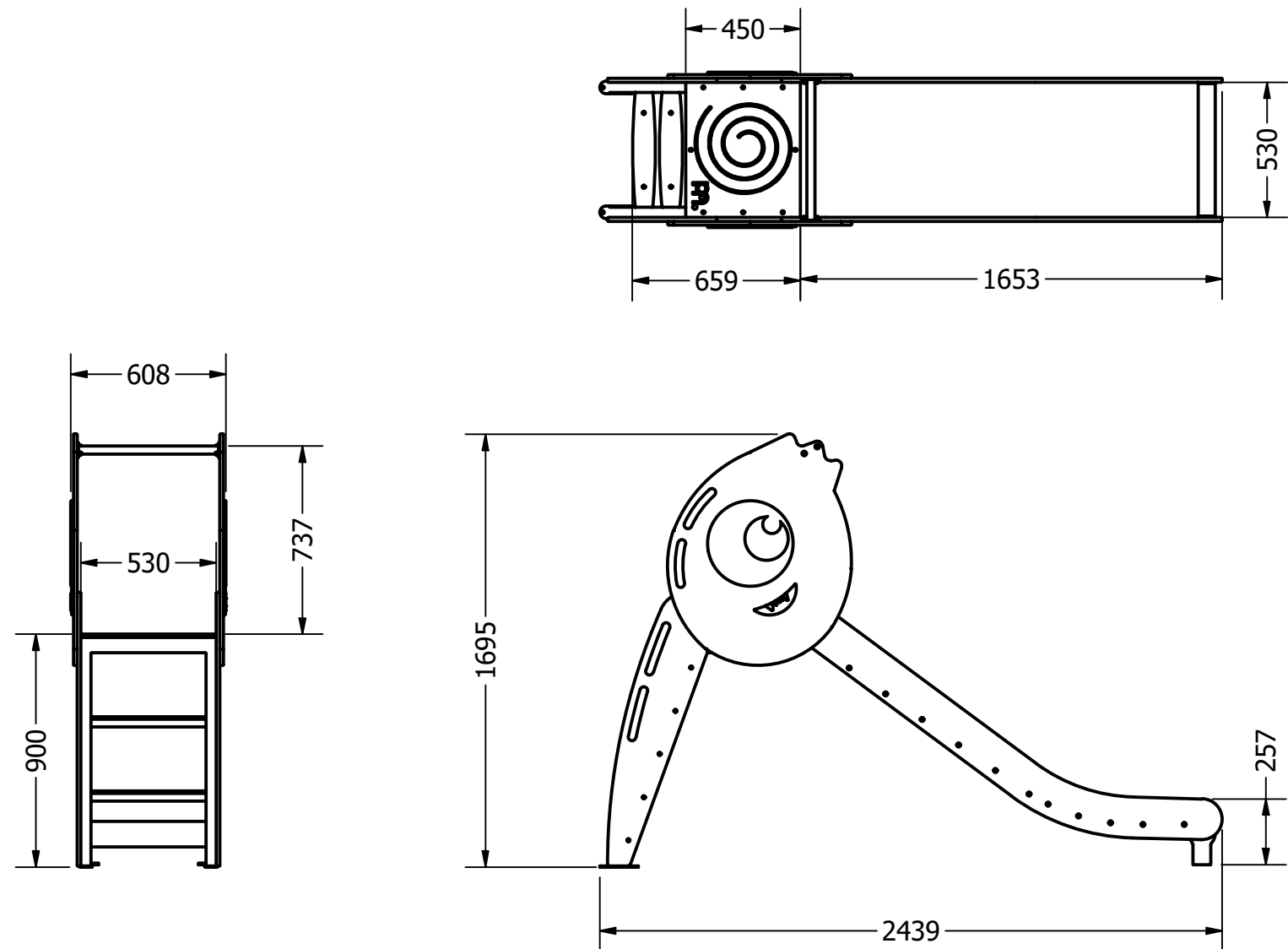



ΜΕΤΑΛΛΙΚΗ ΤΣΟΥΛΗΘΡΑ

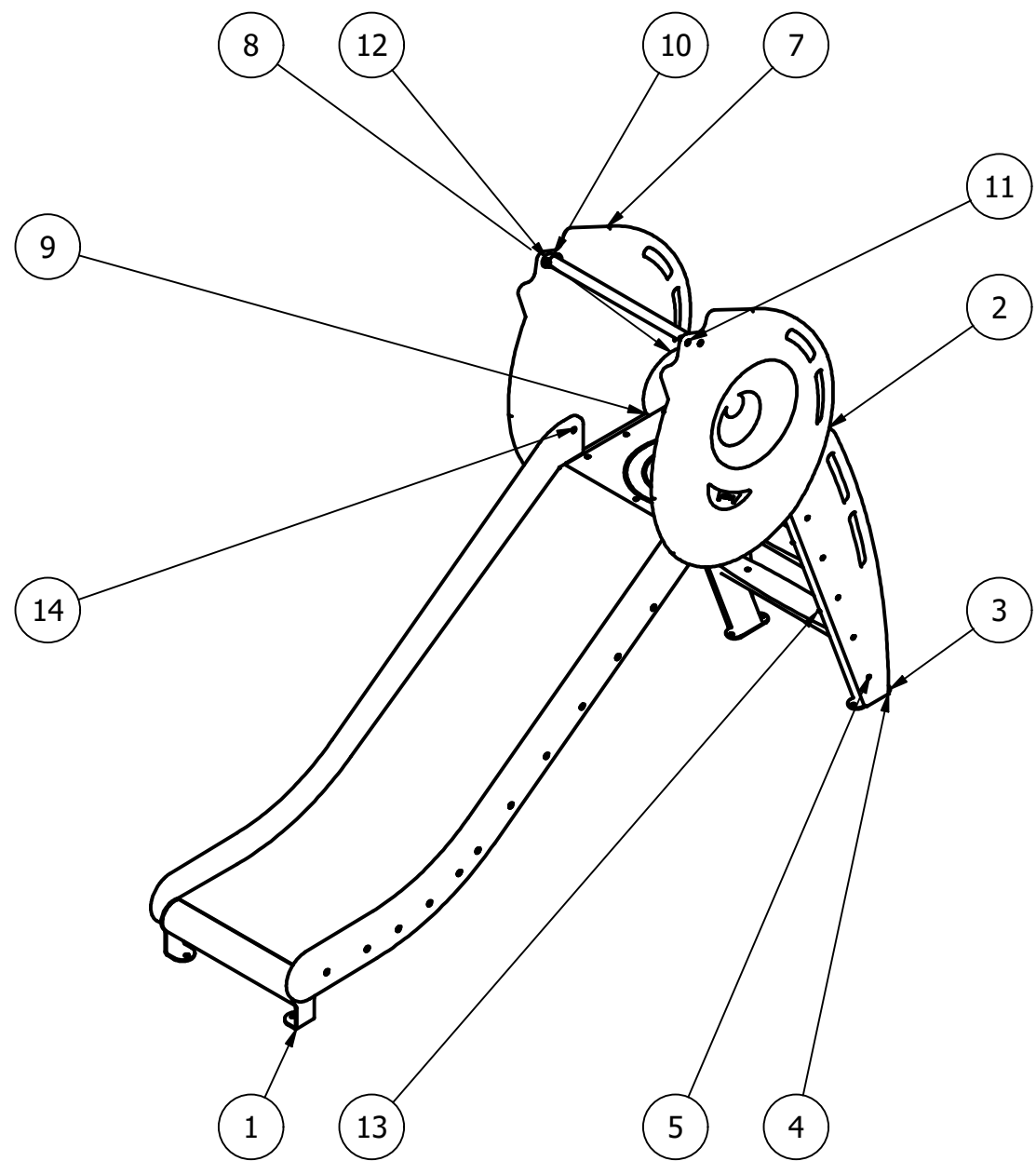


DRAWN J. Pappas	1/12/2020	Article No. P001D		
				
			Pappas J. Sport	REV
	SCALE	1/14	SHEET 1 OF 4	



DRAWN J. Pappas	1/12/2020	Article No. P001D	
			
		Pappas J. Sport	
			REV
	SCALE	1 / 25	SHEET 2 OF 4

6 1 5 1 4 3 1 2 1 1




PARTS LIST			
ITEM	QTY	PART NUMBER	DESCRIPTION
1	1	900 SL	
2	1	22112020 001	
3	1	DEC 650500	
4	1	22112020 04	
5	14	Screw GB/T 15856.2-2002 ST 6.3 X 25	Cross recessed countersunk head drilling screws — Wood Screw GB/T 15856.2-2002 was withdrawn and replaced by Screw GB/T 15856.2 - H
6	1	22112020 05	
7	1	22112020 001_MIR	
8	1	22112020 04_MIR	
9	1	22112020 05_MIR	
10	1	22112020 06	
11	4	ASME/ANSI B18.3.5M - M8x25(2)	Broached Hexagon Socket Flat Countersunk Head Cap Screws - Metric
12	4	UN 5721 - M8	Hexagon Domed Cap Nuts
13	2	22112020 07	
14	2	Screw GB/T 15856.2-2002 ST 6.3 X 22	Cross recessed countersunk head drilling screws — Wood Screw GB/T 15856.2-2002 was withdrawn and replaced by Screw GB/T 15856.2 - H

D
C
B
A

D
C
B
A

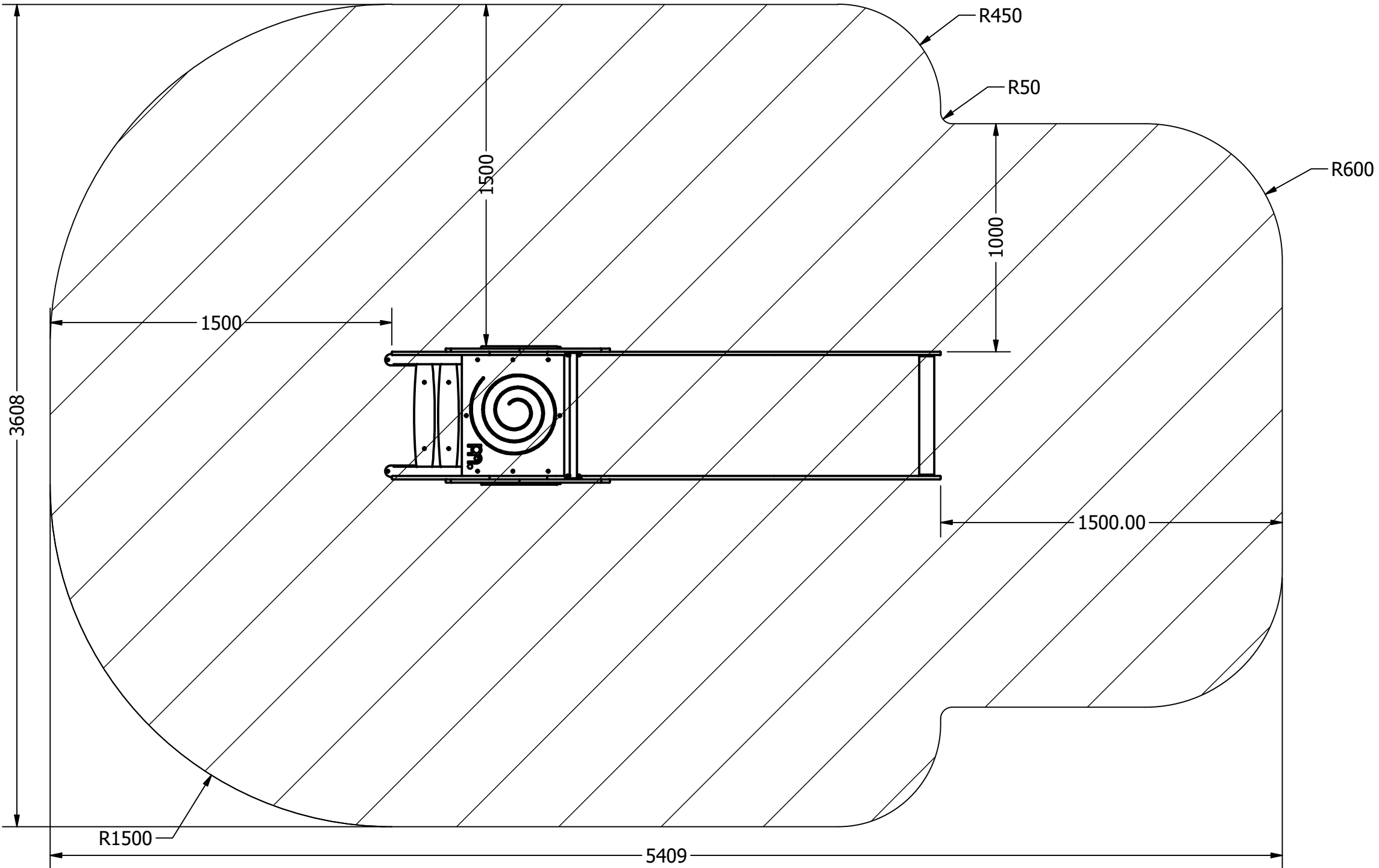
6 1 5 1 4 3 1 2 1 1


DRAWN J. Pappas	1/12/2020	Article No. P001D	
			
		Pappas J. Sport	REV
	SCALE	1/20	SHEET 3 OF 4

A

A

Επιφάνεια πτώσης ~16.09m²



DRAWN J. Pappas	1/12/2020	Article No. P001D		
				
		Pappas J. Sport		REV
	SCALE	1/20	SHEET 4 OF 4	